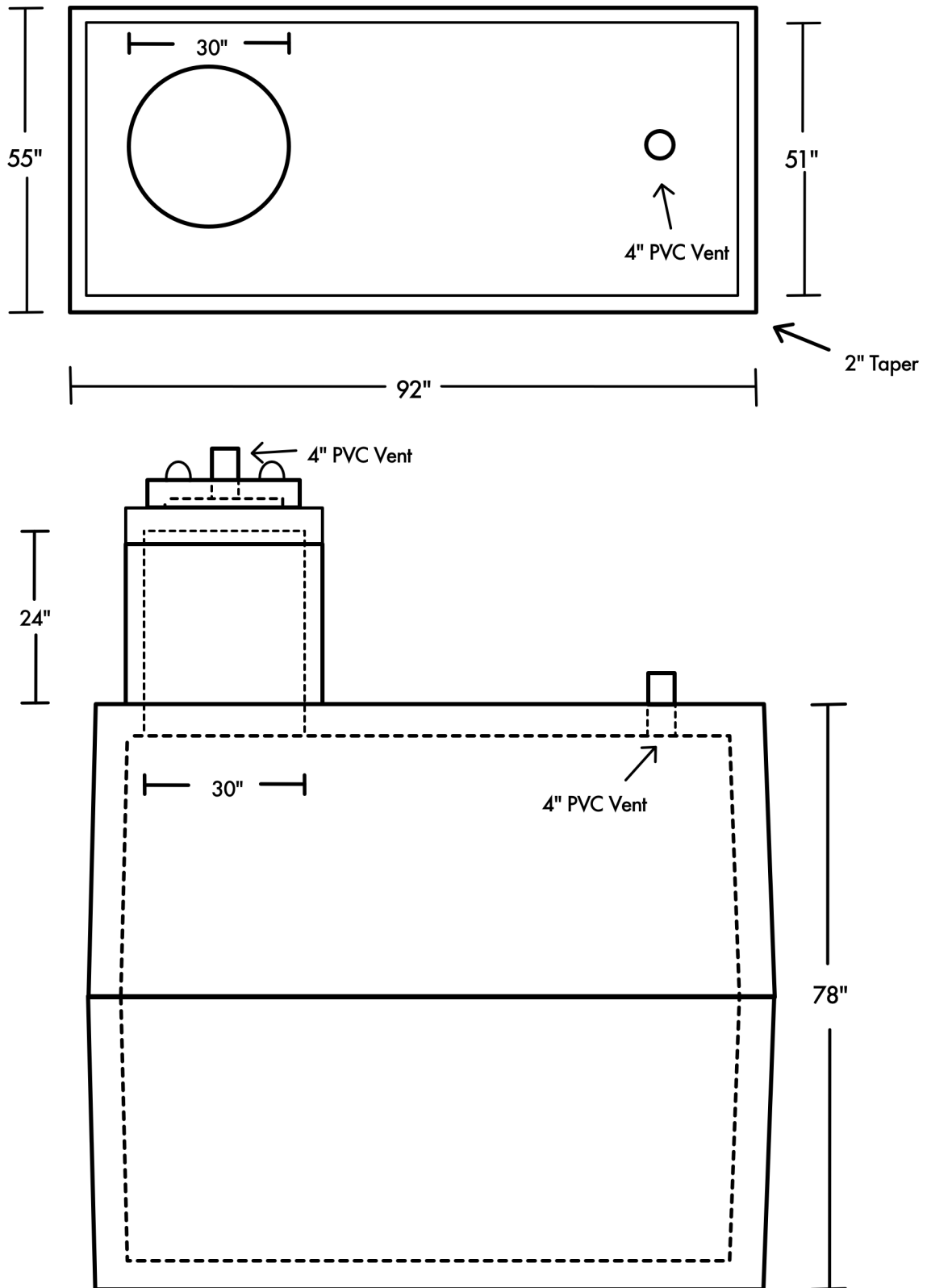


1000 Gallon Pump House



Notes:

4000 PSI Concrete

10 Gauge Wire Mesh Reinforcement

Mastic Sealed Keyed Joint

